

! WARNING! !

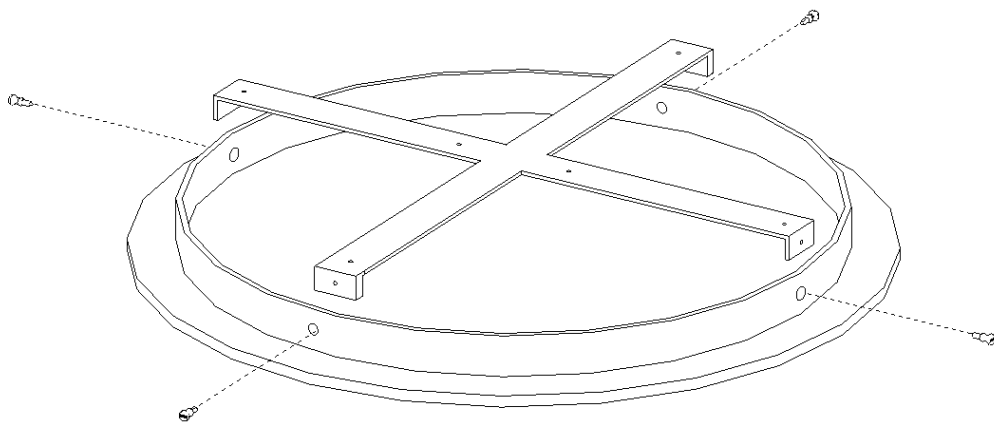
- DO NOT MAKE ADJUSTMENTS TO FIXTURE WHILE CIRCUIT BREAKER IS TURNED ON.
- Never tug on wires, especially when making adjustments to wire length. Doing so may cause damage to the wires or connections, and may result in electrical failure.
- Do not make adjustments to wire length before installing fixture.
- Socket covers and bulbs may be hot! Allow fixture to cool before touching.
- Do not over-tighten screws when attaching the pendants as glass may break.
- Use gloves when handling halogen light bulbs. Do not touch with bare hands.
- Ensure screws and fasteners are graded for weight of your fixture and ceiling type before installation.

THE INSTRUCTIONS AND DRAWINGS ARE INTENDED FOR INSTRUCTIONAL INSTALLATION PURPOSES ONLY. SIZES, QUANTITIES AND STYLES MAY VARY.

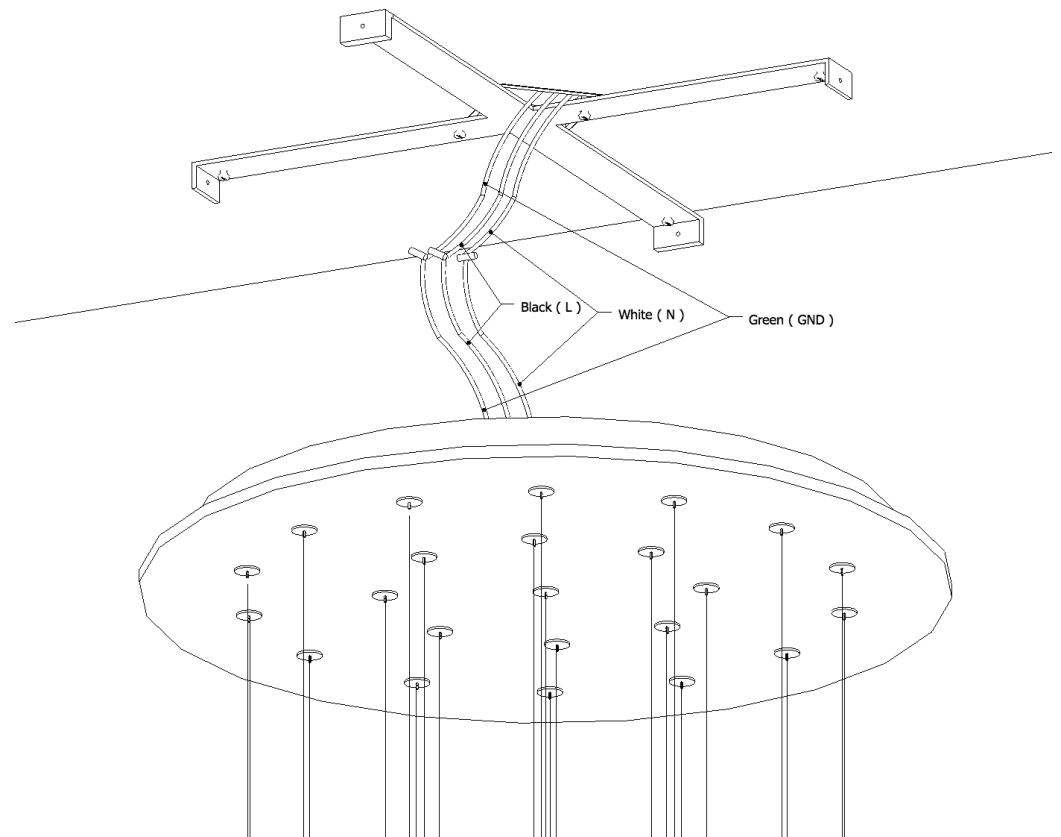
Shakuff

custom glass lighting & décor

INSTALLATION INSTRUCTIONS Non-Threaded Glass - Socket with Nut Attachment

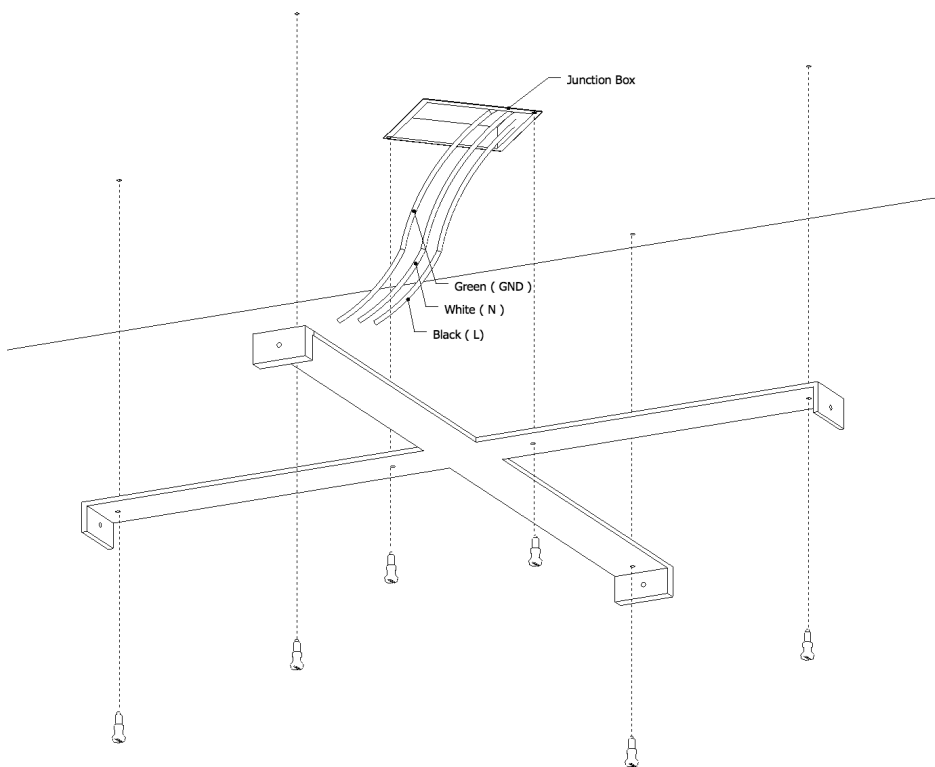


1 Ensure there is no power feeding to the fixture before starting. Remove provided screws from canopy/bracket, then remove the bracket from the canopy.



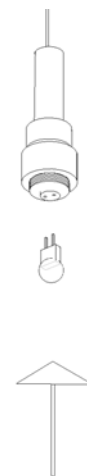
3 Make the electrical connections to the corresponding wires, then re-attach ceiling mounted bracket to the canopy using provided screws.

NOTE: When installing canopy to bracket, align arrows to ensure easy installation.

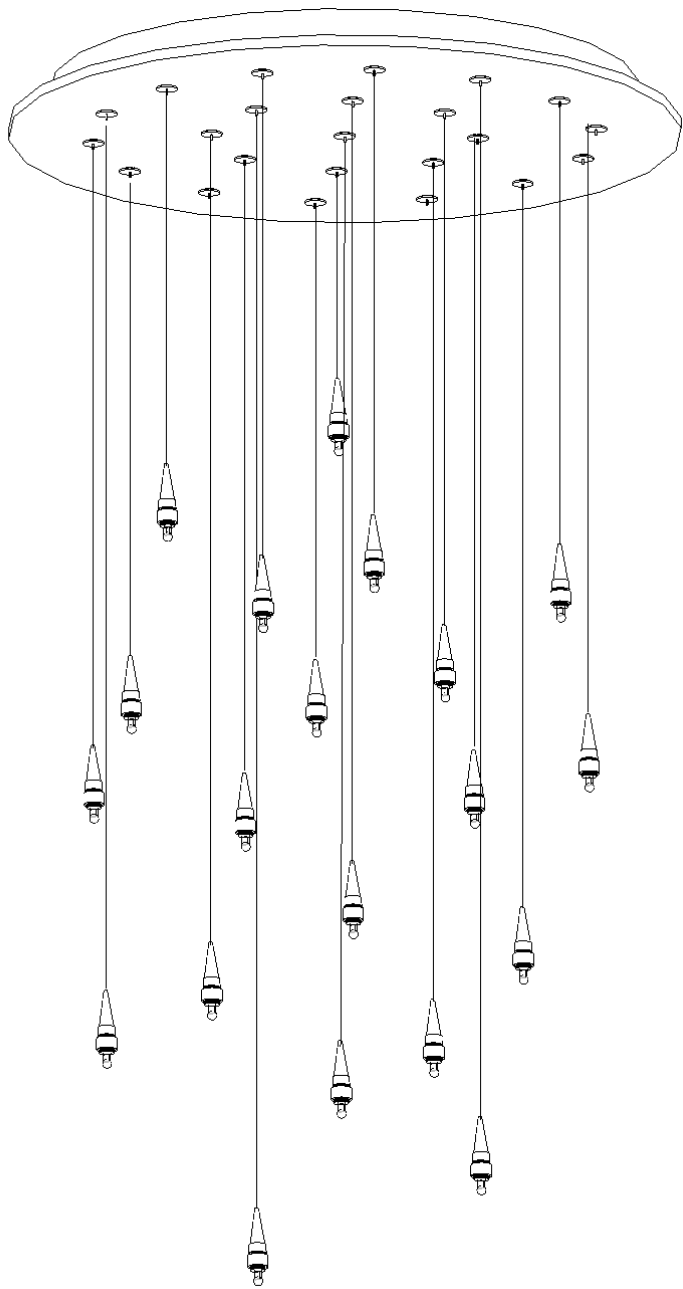


2 Install the metal bracket to the ceiling using (customer provided) screws, anchors and fasteners.

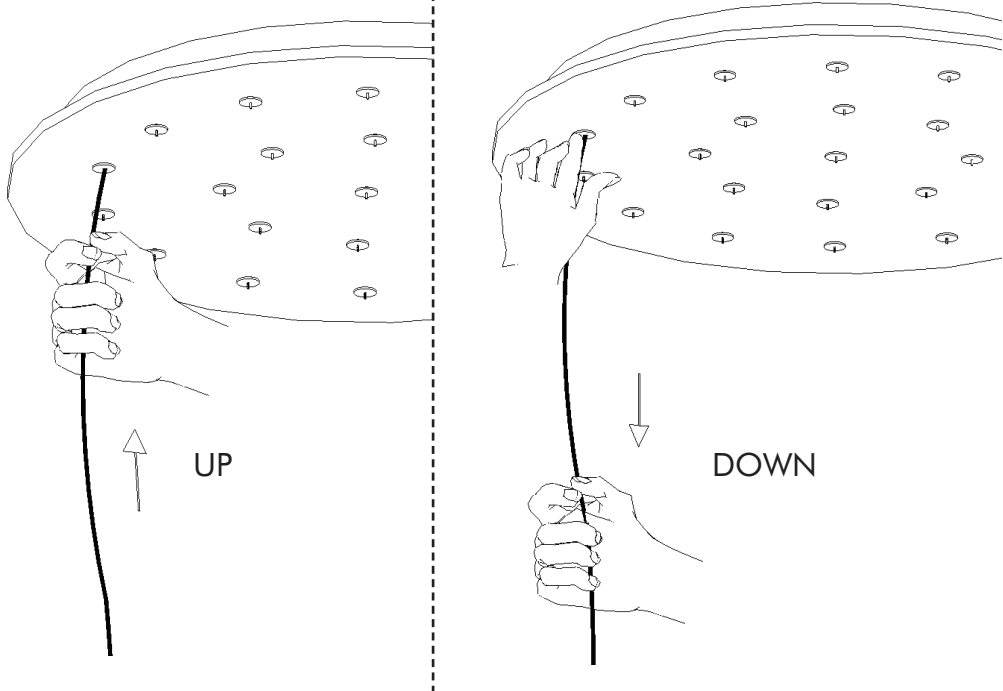
NOTE: Ensure screws and fasteners are graded for weight of your fixture and ceiling type before installation.



4 Insert light bulbs into the sockets. Turn on the electrical circuit breaker, and briefly test the fixture to ensure that all electrical is working. Once you have confirmed that the light fixture is working correctly, turn off the fixture before proceeding to the next steps.



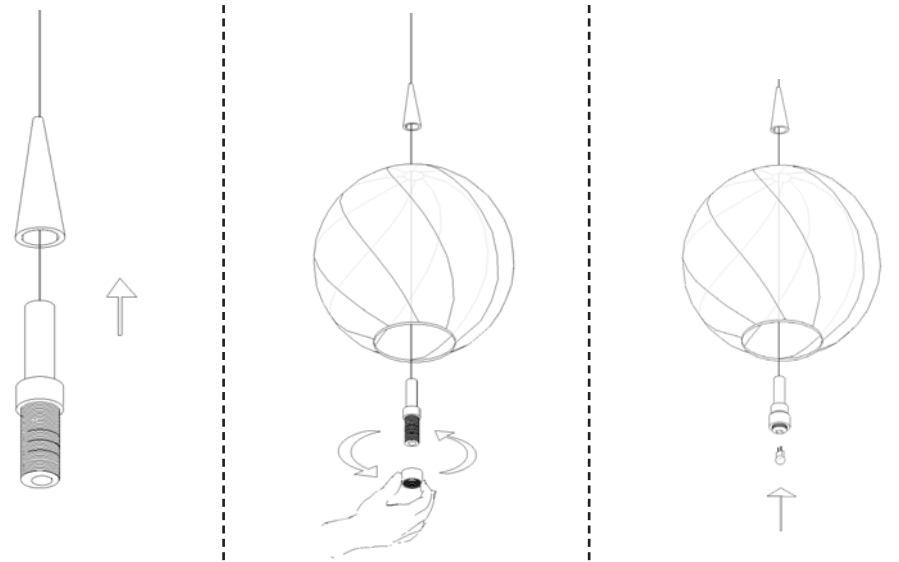
5 If your chandelier is not pre-staggered (most standard length fixtures are not), stagger it to the desired design. You are able to make adjustments to the wire lengths if necessary using the provided metal grippers on the canopy. SEE BELOW.



6 To adjust wire lengths: NEVER TUG ON WIRES! The fixture comes assembled at the maximum length. Lengthening a wire can only be done once it has been shortened. Never try to lengthen wires past the maximum length.

UP (to shorten wire): Gently push the wire up through the metal gripper to desired length. Wire will automatically lock into place.

DOWN (to lengthen wire): Recess the metal plunger/tip up into the gripper. While holding the tip in the up position, gently pull the wire down to desired length. Release plunger/tip. Wire will automatically lock into place.

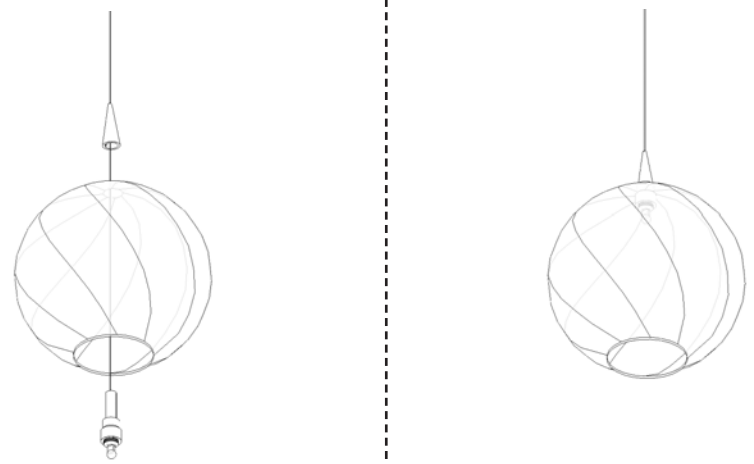


7 Once the fixture is hanging and wires have been adjusted, attach your glass pendants. Ensure sockets are cool to the touch before proceeding.

TO ATTACH GLASS:

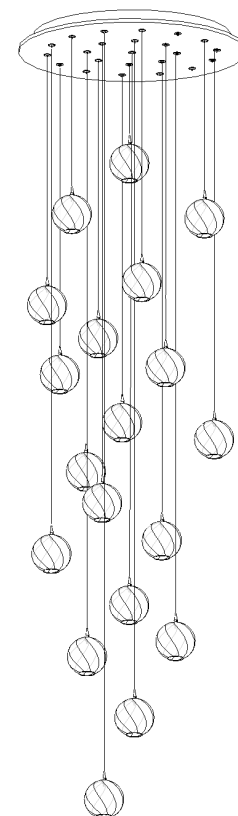
Remove the metal locking nut and light bulbs. Raise the metal cone and lower the socket through the top and out through the bottom of the glass pendant. Re-attach nut, then re-insert light bulb.

DO NOT OVERTIGHTEN THE METAL LOCKING NUT.



8 Once socket, nut and bulb are assembled, gently lower the glass pendant pulling the wire through until the upper tip of the socket goes through the top hole, then lower the metal cone to cover the socket tip.

NOTE: You may also use the above steps for changing light bulbs, or maintaining the glass.



9 Once all pendants are hanging, carefully make any final adjustments to the wire lengths as necessary to get the desired look.

Once all adjustments have been made, turn on the power to the fixture.